

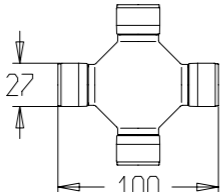
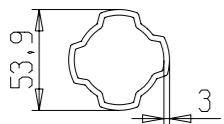

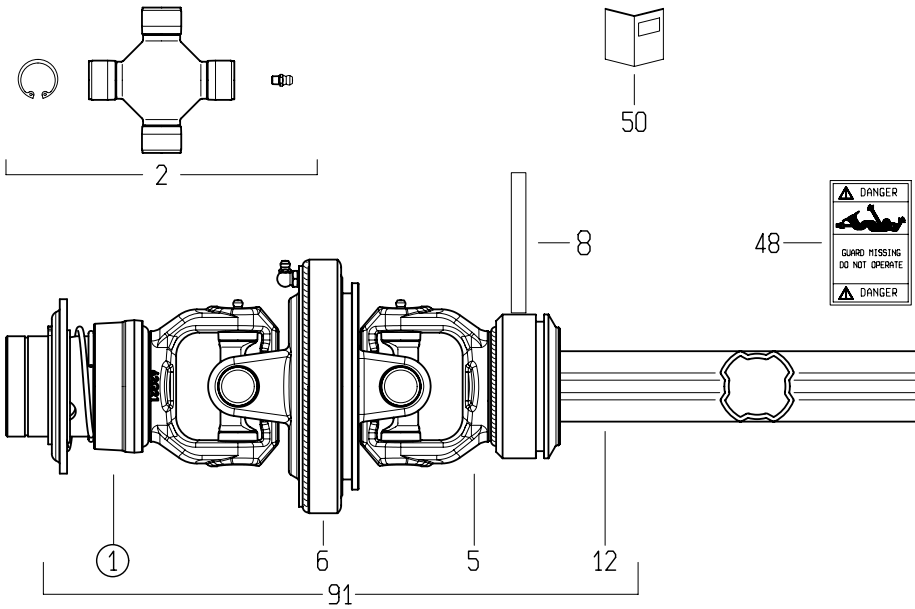


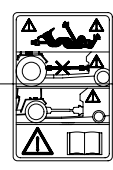
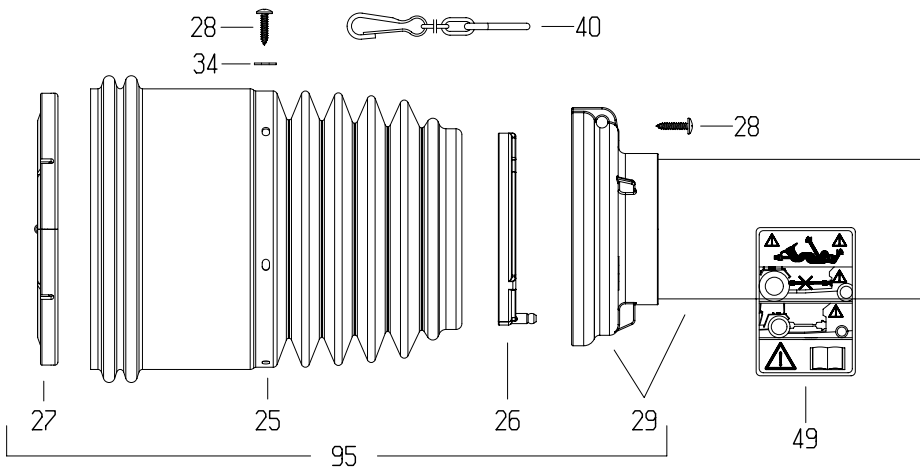
WARNING!

SECTIONS  OF THE ASSEMBLY MARKED  ARE NOT SHIELDED AND MUST BE SHIELDED BY AN INTERACTIVE GUARDING SYSTEM. BONDIOLI & PAVESI DECLINES RESPONSIBILITY IF PROPER GUARDS ARE NOT PROVIDED OR MAINTAINED.

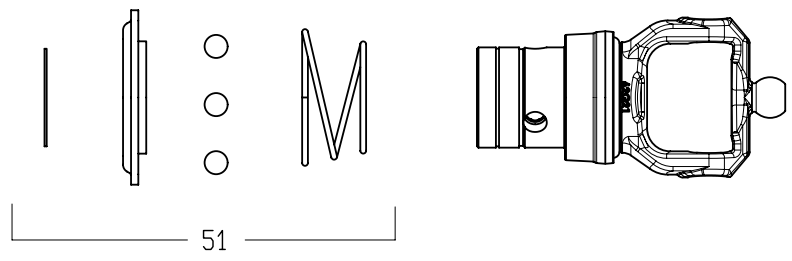
1	CODICE CODE WRO	LATO TRATTORE TRACTOR SIDE	LATO MACCHINA IMPLEMENT SIDE	TIPO-TYPE SFT-S6	CLIENTE / CUSTOMER 3600522 SAMSON AGRO A/S	RIF. CLIENTE / CUSTOMER REF. 935000275
2	CODICE CODE			DATA / DATE 19/5/05	DISegnATO / DESIGNED BY P. Spennato	
3	 L=1055			LUNGHEZZA MAX IN LAVORO MAX WORKING LENGTH LW=	TIPO DI MACCHINA / TYPE OF IMPLEMENT STUDIO / DESIGN ORIGINE / ORIGIN CS6R109CEWROEWSA	
4		VELOCITA' MAX MAX SPEED 540 min ⁻¹	M max 3000 Nm	LUNGHEZZA MAX TEMPORANEA MAX TEMPORARY LENGTH Lt=	NOTE / NOTES	CODICE / CODE CS6R121CEWROEWSA
				LUNGHEZZA MAX NON IN ROTAZIONE MAX LENGTH AT STANDSTILL Ls=		REV.



▲ DANGER
 GUARD MISSING
 DO NOT OPERATE
 ▲ DANGER



①



②1

DISEGNATO / DESIGNED BY
 P.Spennato

DATA / DATE
 19/05/2005

CODICE / CODE
 CS6R121CEWROEWSA

REV.